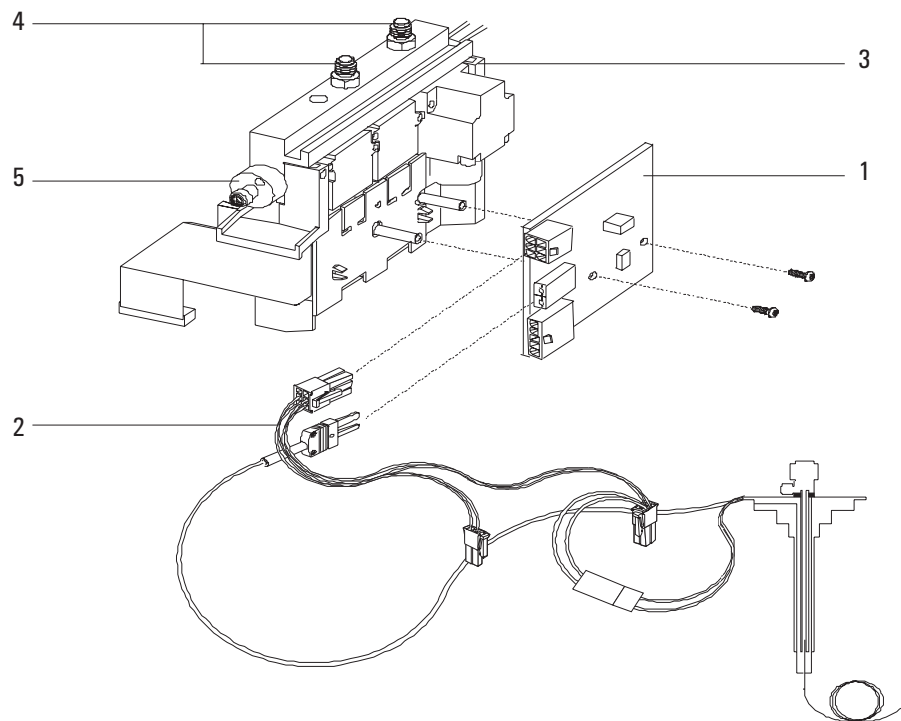


## Programmed Temperature Vaporization Inlet Calibrated Manifold Assy

(HP part no. G2617-60520)

Description	HP Part No.	Qty.
1. PTV Thermocouple PCB	G2617-60010	1
2. PTV Thermocouple PCB Cable	G2617-60505	1
3. Calibrated Manifold Assembly	G2617-60520	1
4. Male Connectors 1/8 in. Swagelok	G1543-80030	2
5. Inlet Fitting Block	G1543-20510	1
EPC Valve Replacement Kit	G1530-60610	1
Split Vent On/Off Valve	G1544-60580	1

For diagram of screw and O-ring placement in pneumatic modules see figure 1310-7 on page 15 of this section. (Purged/Packed Inlet EPC Pneumatic diagram)

**Programmed Temperature Vaporization Inlet Calibrated Manifold Assy****Figure 1310-12 PTV Flow Module**